

Touch panel (EUI2)

# ***Achieving Efficient and Accurate Labeling for Empty Bags***

This machine is a desktop empty bag labeling machine with conveyor for applying labels onto empty bags before product filling.

By this automatic label applying system, it contributes to labor saving, productivity improvement and quality improvement.

## **Productivity**

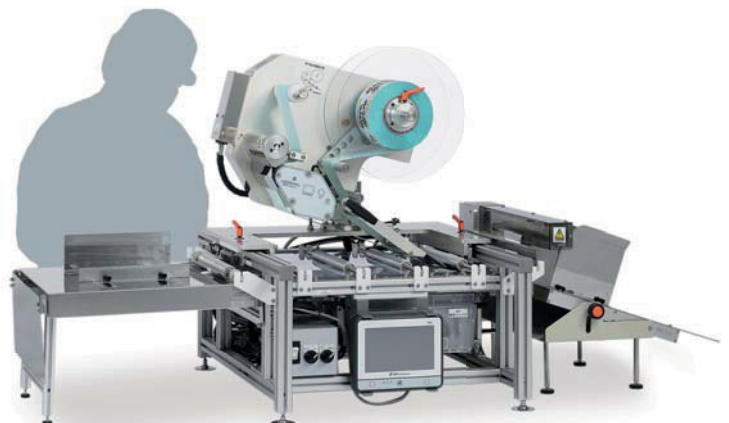
The labeling work by mechanization from manpower, contributing to the improvement of productivity.

## **Variety Registration**

Such as label applying position, setting each type of product can be registered.

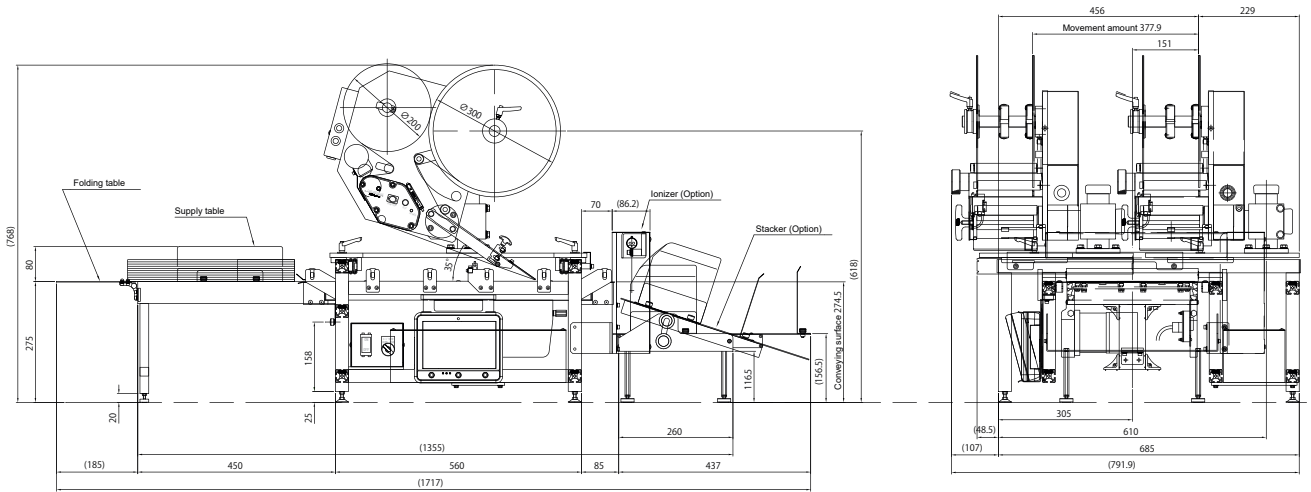
## **Touch Panel**

Simple selection by the touch panel at the time of product changing.



LMFe6000NS12-FJ with option

# Outline Dimensional Drawing (LMFe6000NS12-FJ with option)



(Unit: mm)

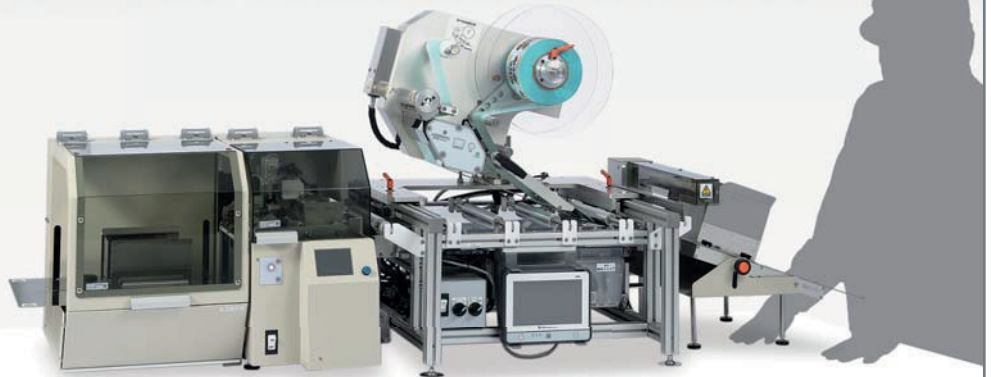
**Automatic feeder connection available.**  
**The work efficiency of off-line labeling can be dramatically improved.**

Preset counter

Bag loading number  
500 sheets

Maximum capacity  
45 pieces / min\*

\* 200 mm bag length  
16.8m / min speed condition



LMFe6000NS12-FJV

## SPECIFICATION

Model	LMFe6000FJ	Conveyor Spec.	Belt Width: 232mm
Variety Registration	200		Belt Length: 700mm
Supported bag size	Bag Width: 70mm - 285mm		Transfer Speed: 2M/min - 24.5M/min *
	Bag Length: 130mm - 380mm		(* Fixed speed at the operation)
Label Spec.	Label Width: 15mm - 120mm	Power Supply	AC100V , 600VA , 50Hz/60Hz
	Basement Paper Width: 18mm - 125mm	Operating Environment	Temperature : 5°C-40°C
	Label Length: 15mm - 200mm		Humidity : Under 90%RH (no dew condensation)
	Roll Diameter : (O.D.) $\phi$ 300mm	Option	Automatic Feeder, Ionizer, Stacker
	Paper Core : (I.D.) $\phi$ 75mm		

The specification may differ from conditions of use. Specification and other information are subject to change without notice.